

DATASHEET

Actis Nema

DESCRIPTION

Actis Nema is a smart and autonomous device for the remote control of light points equipped with 1-10 V or DALI-2 protocol drivers. Specially designed for every type of street light, including applications such as residential, urban and road. It is enabled with LTE communications and compatible with NEMA 7 standard socket luminaires.

KEY FEATURES

- Relay output and Real time clock for controlling luminaire's ON/OFF and activating the preset regulation profiles.
- Several ON/OFF control: remote, astronomical clock or photocell.
- Available with most used dimming control: DALI-2 protocol and 1-10V signals. DALI-2 protocol, enables data acquisition and point to point control up to 8 luminaires or sensors.
- PCB-mounted temperature sensor.
- Plug-and play installation for luminaires compatible with NEMA 7 standard socket.
- Energy meter included to measure main electrical parameters: voltage, current, energy, power factor, active and reactive power.
- Configurable deviation alarms based on reference measurement thresholds.
- In case of power loss or offline operation, the parameters are stored and sent when online operation is restored.
- Remote firmware updated possible for some network technologies.
- Lamp accurate location through board integrated GPS.
- Accelerometer integrated to indicate the tilt of the controller.
- Analog and digital inputs for data acquisition of external sensors, like presence or activity sensors, traffic counting detector, environmental devices...
- Wireless Mobile communications via RF NB-1/Cat-M/EGPRS.



TECHNICAL FEATURES

Communications

Version	LTE NB-1/cat-M/EGPRS
Frequency band	B1/B2/B3/B4/B5/B8/B12/ B13/B18/B19/B20/B26/B28 GSM850/EGSM900/DCS1800/PCS1900
Power (Tx)	23 dBm
Receiver sensitivity (Rx)	-113 dBm
Antenna	Internal

Dimming interfaces

DALI-2	12-20.5 VDC, 16 mA max; according to IEC 62386 part 101, 102, 104, 201, 203, 207.
1-10	1-10 VDC, 16 mA max; according to IEC 60929 annex E

Electrical connection and Power supply

Voltage range	100 – 230VAC 50/60Hz
Voltage max	250 VAC
Lamp load	4A
Power consumption	< 1 W

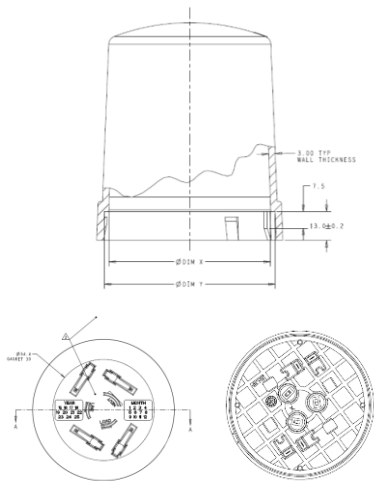
ORDERING CODES

AN-00-LT-WW Actis Plus Nema 7 device, Nema7 socket, relay output, network analyzer, Interface 1-10V&DALI-2, , LTE NB1/cat M/EGPRS

AN-S0-LT-WW Actis Plus Nema 7 device, Nema7 socket, relay output, network analyzer, Interface 1-10V&DALI-2, GPS, ACC, MEMORY, LTE NB1/cat M/EGPRS

AN-00-LT-WW Actis Plus Nema 7 device, Nema7 socket, relay output, network analyzer, Interface 1-10V&DALI-2, LTE NB1/cat M/EGPRS

AN-SI-LT-WW Actis Plus Nema 7 device, Nema7 socket, relay output, analog or digital input, network analyzer, Interface 1-10V&DALI-2, Sensor Powersupply, GPS, ACC, MEMORY, LTE NB1/cat M/EGPRS



TECHNICAL FEATURES

Functional features

Switching function	Astronomic clock, Always ON (Luminaire is ON WHEN power supply is ON), Photocell
Dimming regulation	Remote or Preset (16 available profiles: 7 different profiles reserved for each weekday and 9 profiles for 9 specific days)
Alarms	Voltage, current, power and power factor deviations
Accelerometer	Integrated
GPS	Compatible with GPS, GLONASS, BeiDou/Compass
Storage	More than 1k memory records in case of communications failure

Energy meter features

Measurements	Voltage, current, energy, power factor, active and reactive power
Accuracy	<0.02%

Environmental and Operating conditions

Operating temperature range	-20° to 60°
Protection class	IP-66, IK09
Lifetime	MTBF>150.000h according to Telcordia SR-332

Mechanical features

Socket	NEMA 7- 108-32125 ANSI C136.41-2013
Dimensions	98 mm high & 76 mm diameter
Weight	180 gr.
Material	Base (94 V0) - cover (Polycarbonate)