

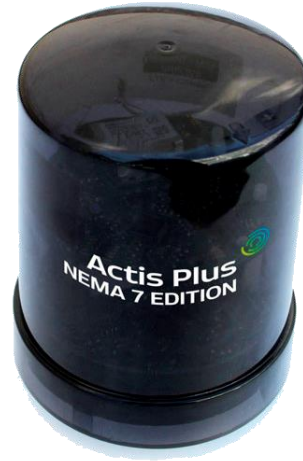


DATASHEET

Actis Nema

DESCRIPTION

Actis Nema is a smart and autonomous device for the remote control of light points equipped with 1-10 V or DALI-2 protocol drivers. Specially designed for every type of street light, including applications such as residential, urban and road. It is enabled with Sigfox Wireless.



KEY FEATURES

- Relay output and Real time clock for controlling luminaire's ON/OFF and activating the preset regulation profiles.
- Several ON/OFF control: remote, astronomical clock or photocell.
- Available with most used dimming control: DALI-2 protocol and 1-10V signals. DALI-2 protocol, enables data acquisition and point to point control up to 8 luminaires or sensors.
- PCB-mounted temperature sensor.
- Plug-and play installation for luminaires compatible with NEMA 7 standard socket.
- Energy meter included to measure main electrical parameters: voltage, current, energy, power factor, active and reactive power.
- Configurable deviation alarms based on reference measurement thresholds.
- Remote firmware updated possible for some network technologies.
- Analog and digital inputs for data acquisition of external sensors, like presence or activity sensors, traffic counting detector, environmental devices...
- Wireless communication via RF SIGFOX for regions RC1, RC2 and RC4.

TECHNICAL FEATURES

Communications

| Version | Sigfox RC1 | Sigfox RC2 | Sigfox RC4 |
|---------------------------|------------|------------|------------|
| Frequency band | 868 MHz | 902 MHz | 920 MHz |
| Power (Tx) | +14 dBm | +22.5 dBm | +22.5 dBm |
| Receiver sensitivity (Rx) | -127 dBm | -129 dBm | -129 dBm |
| Antenna | Internal | | |

Dimming interfaces

| | |
|--------|---|
| DALI-2 | 12-20.5 VDC, 16 mA max; according to IEC 62386 part 101, 102, 104,201,203,207 |
| 1-10 | 1-10 VDC, 16 mA max; according to IEC 60929 annex E |

Electrical connection and Power supply

| | |
|-------------------|----------------------|
| Voltage range | 100 – 230VAC 50/60Hz |
| Voltage max | 250 VAC |
| Lamp load | 4A |
| Power consumption | < 1 W |

ORDERING CODES

AN-00-SX-R1 Actis Plus Nema 7 device, Nema7 socket, relay output, network analyzer, Interface 1-10V&DALI-2,, Sigfox RC1-868

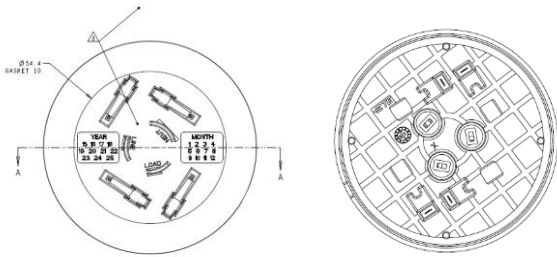
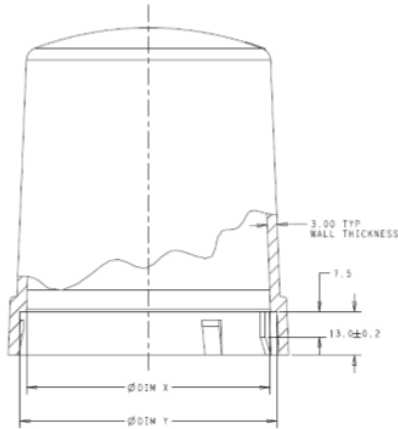
AN-00-SX-R2 Actis Plus Nema 7 device, Nema7 socket, relay output, network analyzer, Interface 1-10V&DALI-2, Sigfox RC2-902

AN-00-SX-R4 Actis Plus Nema 7 device, Nema7 socket, relay output, network analyzer, Interface 1-10V&DALI-2,, Sigfox RC4-915

AN-01-SX-R1 Actis Plus Nema 7 device, Nema7 socket, relay output, network analyzer, Interface 1-10V&DALI-2, analog & digital input, Sigfox RC1-868

AN-01-SX-R2 Actis Plus Nema 7 device, Nema7 socket, relay output, network analyzer, Interface 1-10V&DALI-2, analog & digital input, Sigfox RC2-902

AN-01-SX-R4 Actis Plus Nema 7 device, Nema7 socket, relay output, network analyzer, Interface 1-10V&DALI-2, analog & digital input, Sigfox RC4-915



TECHNICAL FEATURES

Functional features

| | |
|--------------------|---|
| Switching function | Astronomic clock, ONWON (Luminaire is ON WHEN power supply is ON), Photocell |
| Dimming regulation | Remote or Preset (16 available profiles:7 different profiles reserved for each week day and 9 profiles for 9 specific days) |
| Alarms | Voltage, current, power and power factor deviations |

Energy meter

| | |
|--------------|---|
| Measurements | Voltage, current, energy, power factor, active and reactive power |
| Accuracy | <0.02% |

Environmental and Operating conditions

| | |
|-----------------------------|--|
| Operating temperature range | -20° to 65° |
| Protection class | IP-66, IK09 |
| Lifetime | MTBF>150.000 according to Telcordia SR-332 |

Mechanical features

| | |
|------------|--------------------------------------|
| Socket | NEMA 7- 108-32125 ANSI C136.41-2013 |
| Dimensions | 98 mm high & 76 mm diameter |
| Weight | 180 gr. |
| Material | Base (94 V0) - cover (Polycarbonate) |