



## DATASHEET

# Actis One

## DESCRIPTION

**Actis One** is a smart and autonomous device for the remote management of light points equipped with 1-10 V or DALI protocol drivers. Specially designed for every type of streetlight, including applications such as residential, urban and road. Supplied with LoRaWAN communications.



## KEY FEATURES

- Relay output and Real time clock for controlling luminaire's ON/OFF and activating the preset regulation profiles.
- ON/OFF control by Astronomical clock or remote.
- Can be equipped by different dimming control: DALI protocol or 1-10V signals.
- PCB-mounted temperature sensor.
- Plug-and play installation compatible with most luminaires in market.
- Energy meter included\* to measure main electrical parameters: voltage, current, energy, power factor, active and reactive power.
- Configurable deviation alarms based on reference measurement thresholds.
- Wireless communication via RF LoRa according to standard LoRaWAN 1.0.2 for several frequency bands: EU868, US915, AU915, AS923, IN865.

\*Electrical power analyzer only included in some models.

## TECHNICAL FEATURES

### Communications

Version	LoRa EU	LoRa US	LoRa AUS /ASIA	LoRa India
Frequency band	868 MHz	915 MHz	923 MHz	865 MHz
Power (Tx)	+14dBm	+19 dBm	+19 dBm	+14dBm
Receiver sensitivity (Rx)	-137 dBm	-130 dBm	-130 dBm	-137 dBm
Compliance	LoRaWAN 1.0.2			
Antenna	External			

### Dimming interfaces

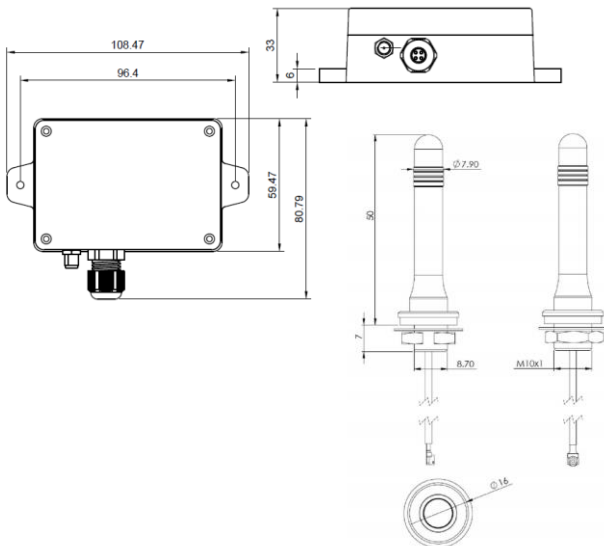
DALI	12-20.5 VDC, 16 mA max; according to IEC 62386 part 101, 102, 104, 201, 203, 207.
1-10	1-10 VDC, 16 mA max; according to IEC 60929 annex E

### Electrical connection and Power supply

Voltage range	100 – 230VAC 50/60Hz
Voltage max	250 VAC
Lamp load	4A
Power consumption	< 1 W

## ORDERING CODES

**AO-0V-LW-EU** Actis One device, no relay output, Interface 1-10V, LoRaWAN EU868  
**AO-0D-LW-EU** Actis One device, no relay output, Interface DALI, LoRaWAN EU868  
**AO-0V-LW-US** Actis One device, no relay output, Interface 1-10V, LoRaWAN US915  
**AO-0D-LW-US** Actis One device, no relay output, Interface DALI, LoRaWAN US915  
**AO-0V-LW-AU** Actis One device, no relay output, Interface 1-10V, LoRaWAN AU915  
**AO-0D-LW-AU** Actis One device, no relay output, Interface DALI, LoRaWAN AU915  
**AO-0V-LW-AS** Actis One device, no relay output, Interface 1-10V, LoRaWAN AS923  
**AO-0D-LW-AS** Actis One device, no relay output, Interface DALI, LoRaWAN AS923  
**AO-0V-LW-IN** Actis One device, no relay output, Interface 1-10V, LoRaWAN IN865  
**AO-0D-LW-IN** Actis One device, no relay output, Interface DALI, LoRaWAN IN865  
**AO-MV-LW-EU** Actis One device, relay output, electrical power analyzer, Interface 1-10V, LoRaWAN EU868  
**AO-MV-LW-US** Actis One device, relay output, electrical power analyzer, Interface 1-10V, LoRaWAN US915  
**AO-MV-LW-AU** Actis One device, relay output, electrical power analyzer, Interface 1-10V, LoRaWAN AU915  
**AO-MV-LW-AS** Actis One device, relay output, electrical power analyzer, Interface 1-10V, LoRaWAN AS923  
**AO-MV-LW-IN** Actis One device, relay output, electrical power analyzer, Interface 1-10V, LoRaWAN IN865  
**AO-MD-LW-EU** Actis One device, relay output, electrical power analyzer, Interface DALI, LoRaWAN EU868  
**AO-MD-LW-US** Actis One device, relay output, electrical power analyzer, Interface DALI, LoRaWAN US915  
**AO-MD-LW-AU** Actis One device, relay output, electrical power analyzer, Interface DALI, LoRaWAN AU915  
**AO-MD-LW-AS** Actis One device, relay output, electrical power analyzer, Interface DALI, LoRaWAN AS923  
**AO-MD-LW-IN** Actis One device, relay output, electrical power analyzer, Interface DALI, LoRaWAN IN865



## TECHNICAL FEATURES

### Functional features

<b>Switching function</b>	Astronomic clock, Always ON (Luminaire is ON WHEN power supply is ON)
<b>Dimming regulation</b>	Remote or Preset (16 available profiles: 7 different profiles reserved for each weekday and 9 profiles for 9 specific days)
<b>Alarms</b>	Voltage, current, power and power factor deviations

### Energy meter features

<b>Measurements</b>	Voltage, current, energy, power factor, active and reactive power
<b>Accuracy</b>	<0.2%

### Environmental and Operating conditions

<b>Operating temperature range</b>	-20° to 65°
<b>Protection class</b>	IP-66, IK09
<b>Lifetime</b>	MTBF>150.000 according to Telcordia SR-332

### Mechanical features

<b>Dimensions</b>	109mm x 81mm x 33mm
<b>Weight</b>	125 gr.
<b>Material</b>	ABS